



T3 Smart Tubular Tri-Proof light



Application

T3 Tri-Proof light is an optimal solution for areas with harsh environmental conditions. Its main housing is made from a single mold and its end-caps are tightly fixed which allows for optimal water and dust resistance. Based on our customers' needs, we have developed an electrical system that enables you to select the light color directly on site with your customer using a DIP switch.

The T3 is more than just a moisture-proof luminaire. It meets the same product requirements in terms of tightness and durability. T3 can also be used as a lighting element to design a space. Thanks to through-wiring and practical connection space, this fixture allows for fast and flexible connection on site, can be fixed to the ceiling or wall, or even suspended in the building. T3 is a true design feature. The light emitting surface can be rotated and fixed even after installation on the mounting elements.



Car washing



Cold storage



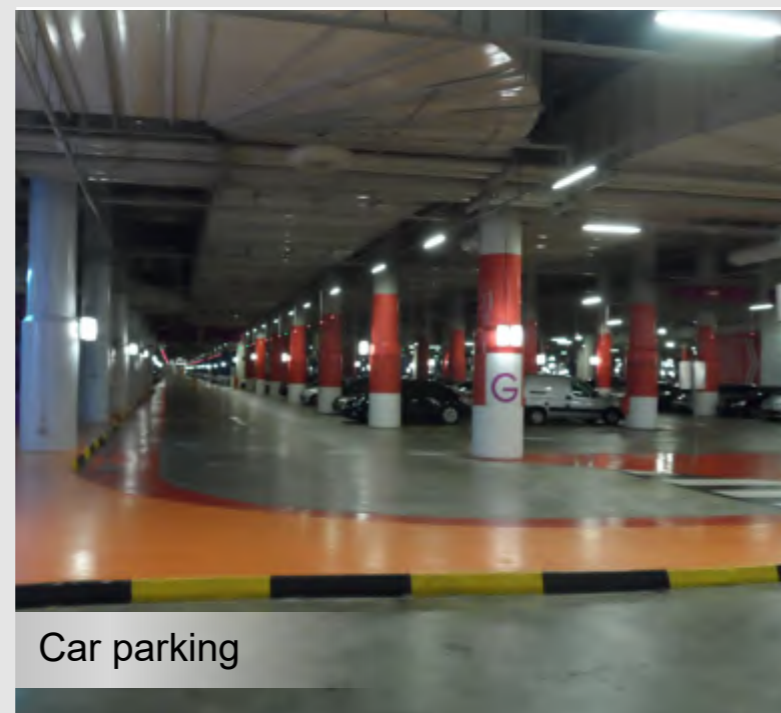
Tunnel



Train Station



Warehouse



Car parking

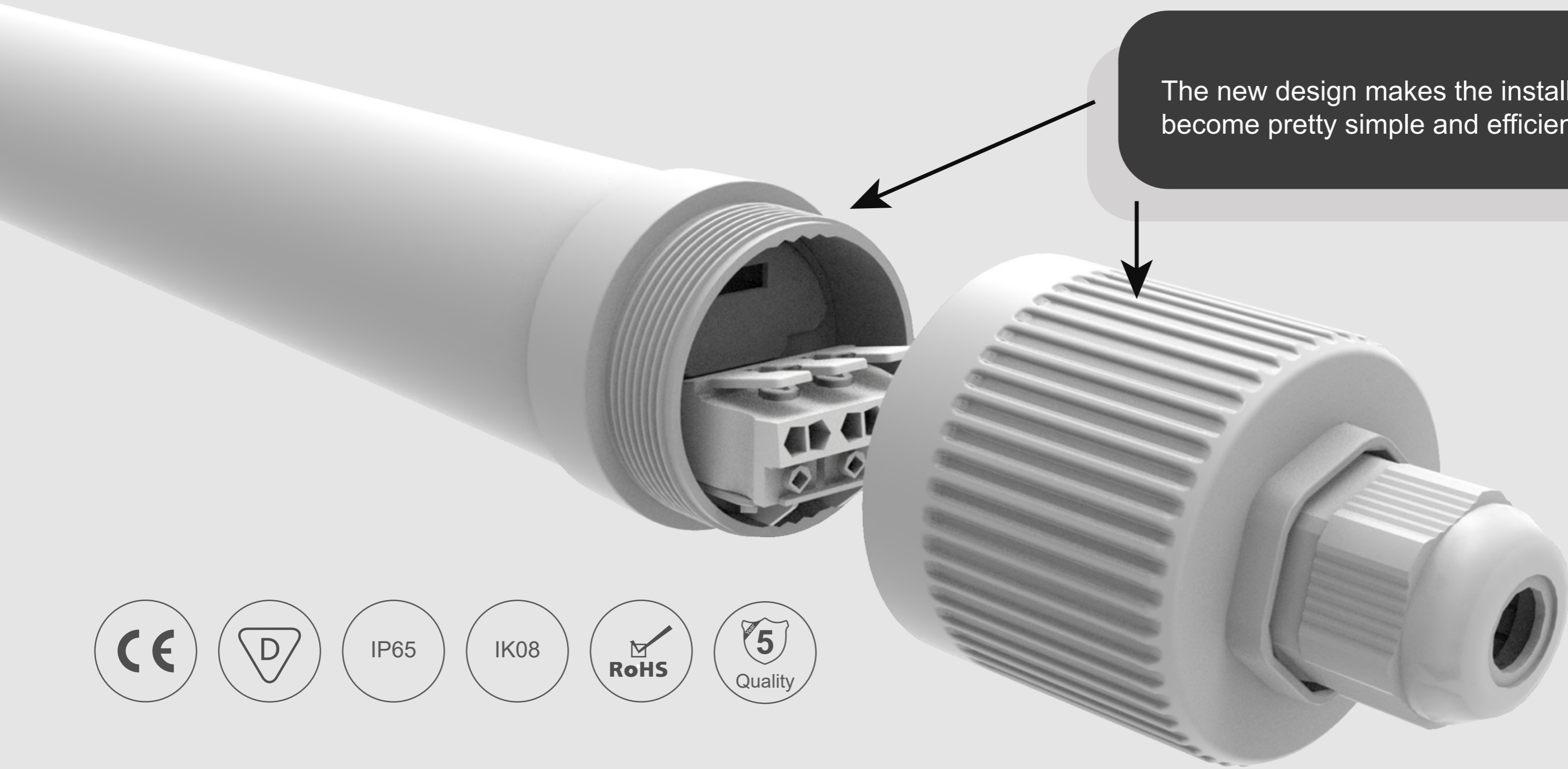


Metro Station



Food industry

Innovative spiral design



The new design makes the installation become pretty simple and efficient.

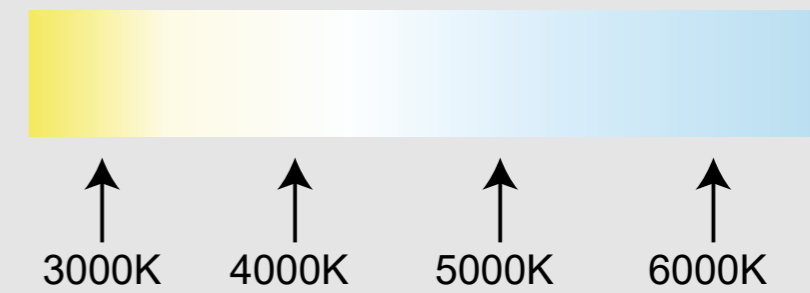
- CE
- D
- IP65
- IK08
- RoHS
- 5 Quality

Good for stock

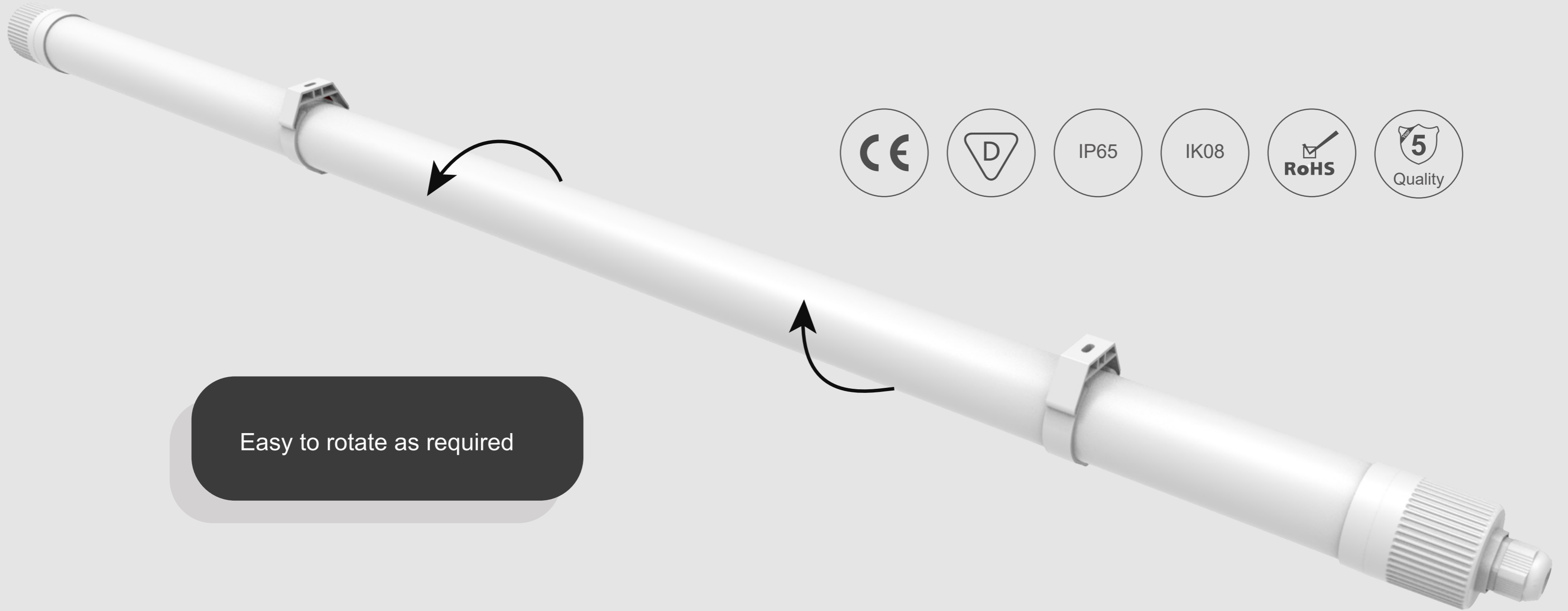


Thanks to the slide switch design.
The CCT can be adjusted simply
as below.

3000K- 4000K- 5000K
4000K- 5000K- 6000K
3000K- 4500K- 6000K



360° rotatable

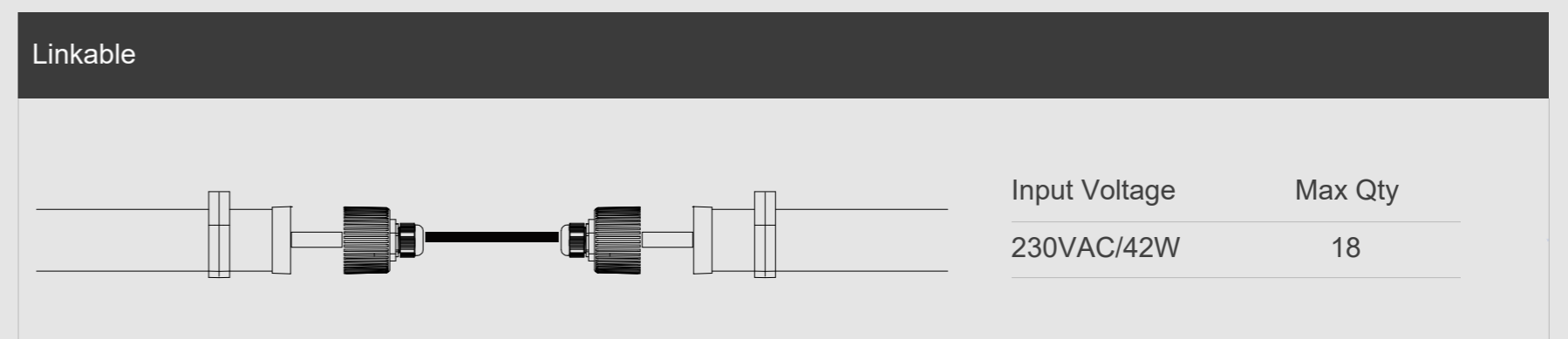
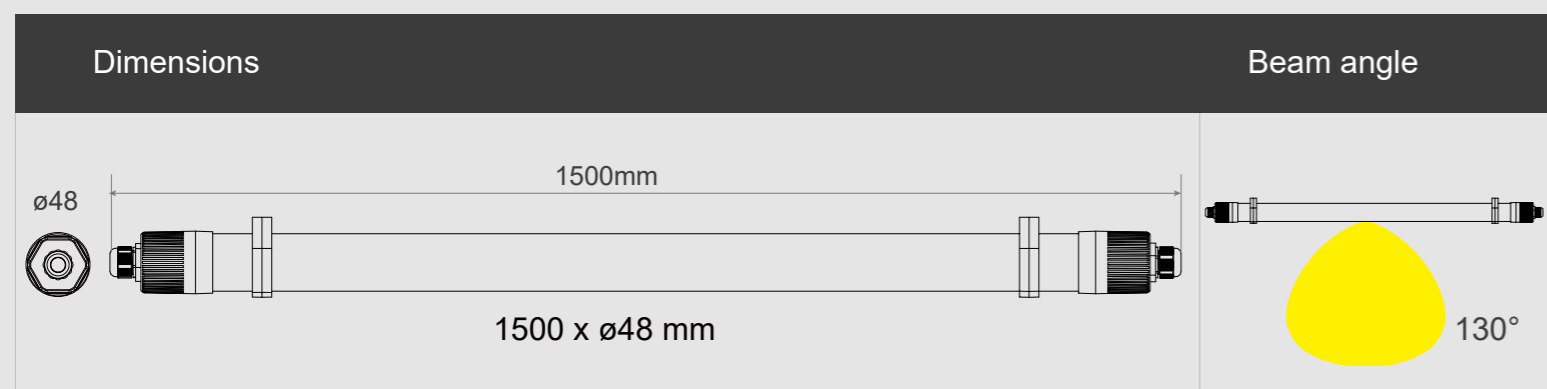


- CE
- D
- IP65
- IK08
- RoHS
- 5 Quality

Easy to rotate as required

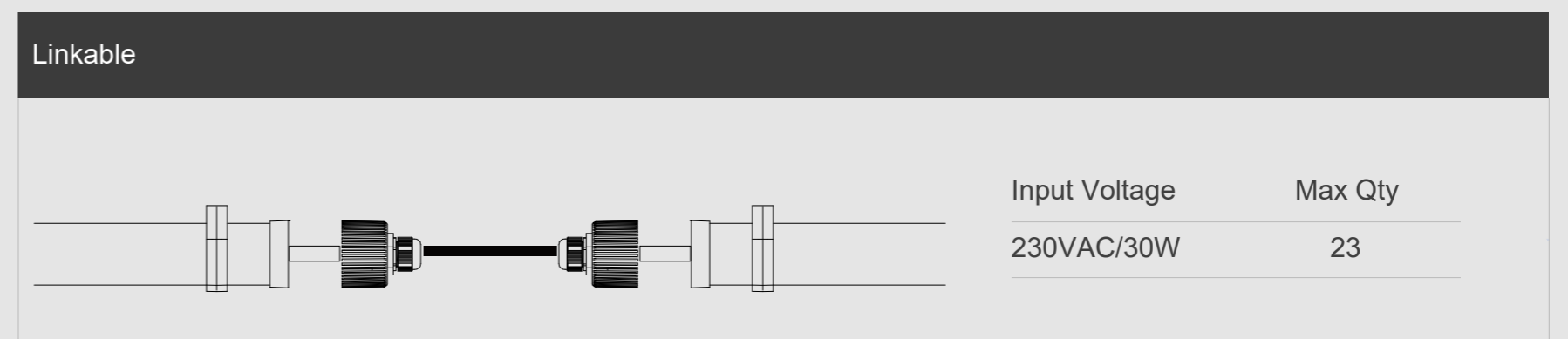
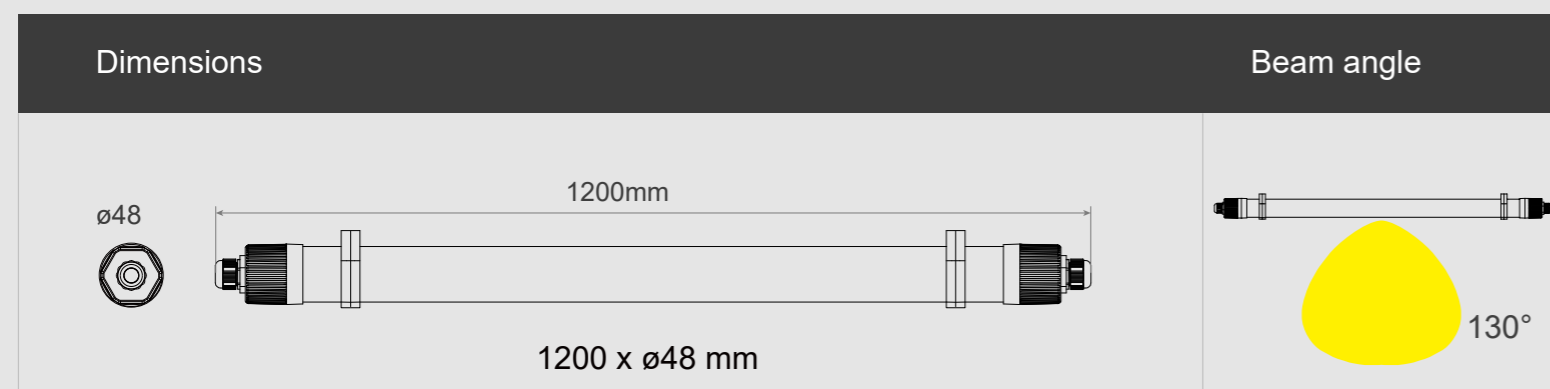
Datasheet 1500mm

Art.-No.	T035D-42W2	T035D-42N1	T035D-42P1	T035D-42C1	T035D-42WP	T035D-42WC	T035D-42NC	T035S-42W2	T035S-42N1	T035S-42P1	T035S-42C1	T035S-42WP	T035S-42WC	T035S-42NC
CCT	3000K	4000K	5000K	6000K	3000K- 4000K- 5000K	3000K- 4500K- 6000K	4000K- 5000K- 6000K	3000K	4000K	5000K	6000K	3000K- 4000K- 5000K	3000K- 4500K- 6000K	4000K- 5000K- 6000K
Luminous flux	4800 lm	5200 lm	5200 lm	5200 lm	5200 lm	5200 lm	5200 lm	5400 lm	6300 lm	6300 lm	6300 lm	6300 lm	6300 lm	6300 lm
Luminous efficacy	115 lm/w	125 lm/w	125 lm/w	125 lm/w	125 lm/w	125 lm/w	125 lm/w	130 lm/w	150 lm/w	150 lm/w	150 lm/w	150 lm/w	150 lm/w	150 lm/w
Power	42w							42w						
LED-Type:	0.5W SMD 2835							High Lumen 0.5W SMD 2835						
CRI	Ra>80							Ra>80						
Colour consistency	SCDM<5							SCDM<5						
Cover	Milky							Milky						
Material:	PC							PC						
Input voltage	220 - 240V AC/DC, 50/60Hz							220 - 240V AC/DC, 50/60Hz						
Function	Non-Dimming							Non-Dimming						
PF	>0.95							>0.95						
Flicker	Flicker Free							Flicker Free						
Switching cycles	> 500.000							> 500.000						
Through-wiring	3 x 1,5mm ²							3 x 1,5mm ²						
Weight	1.1 kg							1.1 kg						
Lifetime	50,000h (L80 / B10) at ta = 25° C.							50,000h (L80 / B10) at ta = 25° C.						
Energy efficiency class	A++							A++						
Energy consumption	42 kwh / 1000h							42 kwh / 1000h						
Operating temperature	-20 bis +45°							-20 bis +45°						
Storing temperature	-25 bis +50°							-25 bis +50°						
IEC protection class	I, II							I, II						



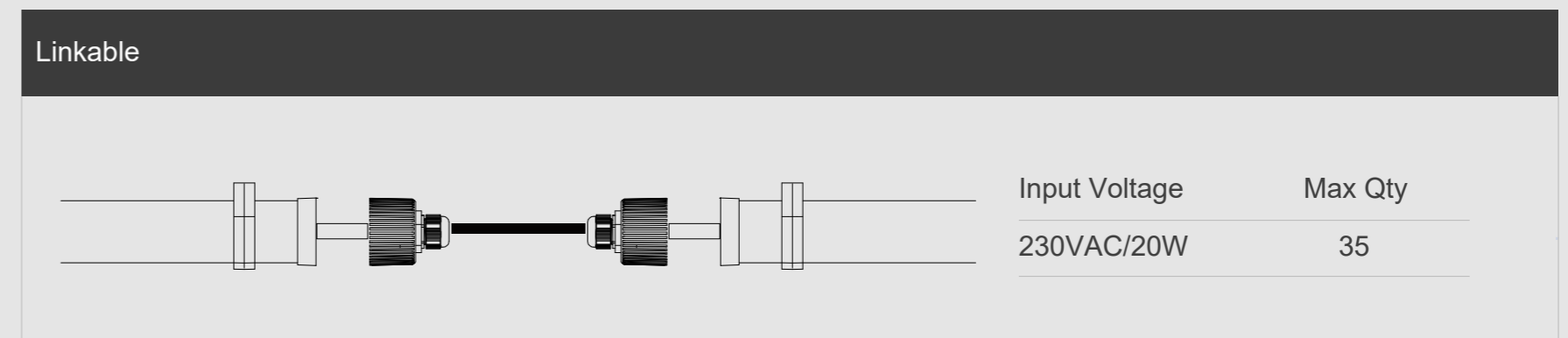
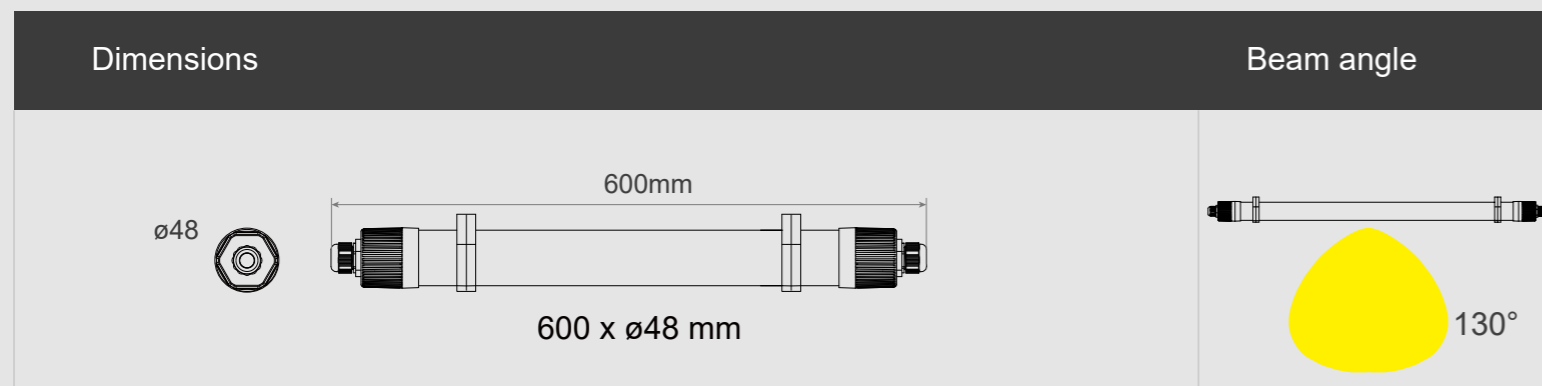
Datasheet 1200mm

Art.-No.	T034D-30W2	T034D-30N1	T034D-30P1	T034D-30C1	T034D-30WP	T034D-30WC	T034D-30NC	T034S-30W2	T034S-30N1	T034S-30P1	T034S-30C1	T034S-30WP	T034S-30WC	T034S-30NC
CCT	3000K	4000K	5000K	6000K	3000K- 4000K- 5000K	3000K- 4500K- 6000K	4000K- 5000K- 6000K	3000K	4000K	5000K	6000K	3000K- 4000K- 5000K	3000K- 4500K- 6000K	4000K- 5000K- 6000K
Luminous flux	3300 lm	3600 lm	3600 lm	3600 lm	3600 lm	3600 lm	3600 lm	3600 lm	3700 lm	4200 lm	4200 lm	4200 lm	4200 lm	4200 lm
Luminous efficacy	110 lm/w	120 lm/w	120 lm/w	120 lm/w	120 lm/w	120 lm/w	120 lm/w	120 lm/w	125 lm/w	140 lm/w	140 lm/w	140 lm/w	140 lm/w	140 lm/w
Power	30w							30w						
LED-Type:	0.5W SMD 2835							High Lumen 0.5W SMD 2835						
CRI	Ra>80							Ra>80						
Colour consistency	SCDM<5							SCDM<5						
Cover	Milky							Milky						
Material:	PC							PC						
Input voltage	220 - 240V AC/DC, 50/60Hz							220 - 240V AC/DC, 50/60Hz						
Function	Non-Dimming							Non-Dimming						
PF	>0.95							>0.95						
Flicker	Flicker Free							Flicker Free						
Switching cycles	> 500.000							> 500.000						
Through-wiring	3 x 1,5mm ²							3 x 1,5mm ²						
Weight	0,82 kg							0,82 kg						
Lifetime	50,000h (L80 / B10) at ta = 25° C.							50,000h (L80 / B10) at ta = 25° C.						
Energy efficiency class	A++							A++						
Energy consumption	42 kwh / 1000h							42 kwh / 1000h						
Operating temperature	-20 bis +45°							-20 bis +45°						
Storing temperature	-25 bis +50°							-25 bis +50°						
IEC protection class	I, II							I, II						



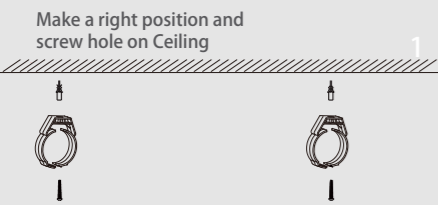
Datasheet 600mm

Art.-No.	T032D-20W2	T032D-20N1	T032D-20P1	T032D-20C1	T032D-20WP	T032D-20WC	T032D-20NC	T032S-20W2	T032S-20N1	T032S-20P1	T032S-20C1	T032S-20WP	T032S-20WC	T032S-20NC
CCT	3000K	4000K	5000K	6000K	3000K- 4000K- 5000K	3000K- 4500K- 6000K	4000K- 5000K- 6000K	3000K	4000K	5000K	6000K	3000K- 4000K- 5000K	3000K- 4500K- 6000K	4000K- 5000K- 6000K
Luminous flux	2000 lm	2300 lm	2300 lm	2300 lm	2300 lm	2300 lm	2300 lm	2300 lm	2500 lm	2700 lm	2700 lm	2700 lm	2700 lm	2700 lm
Luminous efficacy	100 lm/w	115 lm/w	115 lm/w	115 lm/w	115 lm/w	115 lm/w	115 lm/w	115 lm/w	125 lm/w	135 lm/w	135 lm/w	135 lm/w	135 lm/w	135 lm/w
Power	20w							20w						
LED-Type:	0.5W SMD 2835							High Lumen 0.5W SMD 2835						
CRI	Ra>80							Ra>80						
Colour consistency	SCDM<5							SCDM<5						
Cover	Milky							Milky						
Material:	PC							PC						
Input voltage	220 - 240V AC/DC, 50/60Hz							220 - 240V AC/DC, 50/60Hz						
Function	Non-Dimming							Non-Dimming						
PF	>0.95							>0.95						
Flicker	Flicker Free							Flicker Free						
Switching cycles	> 500.000							> 500.000						
Through-wiring	3 x 1,5mm ²							3 x 1,5mm ²						
Weight	0.5 kg							0.5 kg						
Lifetime	50,000h (L80 / B10) at ta = 25° C.							50,000h (L80 / B10) at ta = 25° C.						
Energy efficiency class	A++							A++						
Energy consumption	42 kwh / 1000h							42 kwh / 1000h						
Operating temperature	-20 bis +45°							-20 bis +45°						
Storing temperature	-25 bis +50°							-25 bis +50°						
IEC protection class	I, II							I, II						

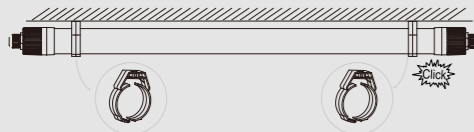


Installation

Wall and ceiling mounted



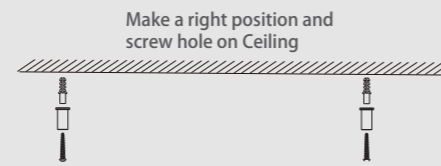
Click into the lamp
Lock the Kits



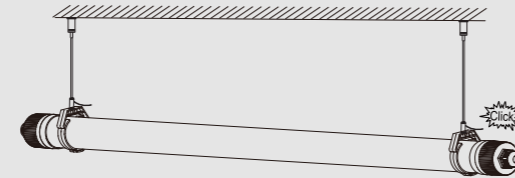
Adjust the angle base on client request



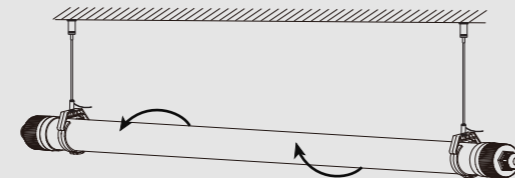
Suspension-installation



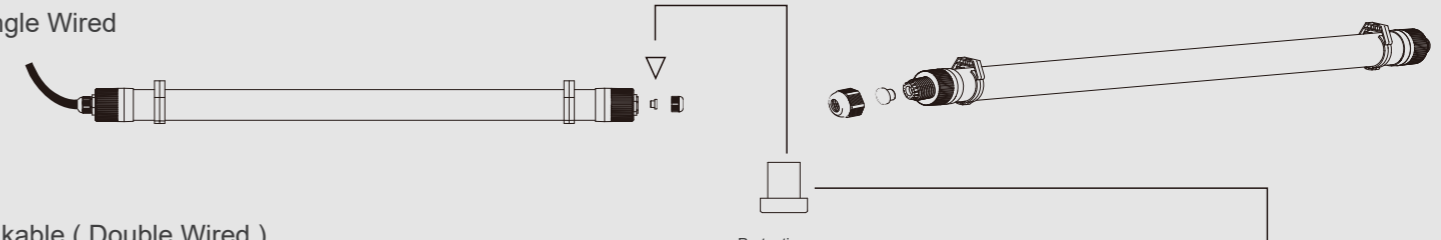
Click into the lamp
Then adjust the length of suspension kits



Adjust the angle base on client request



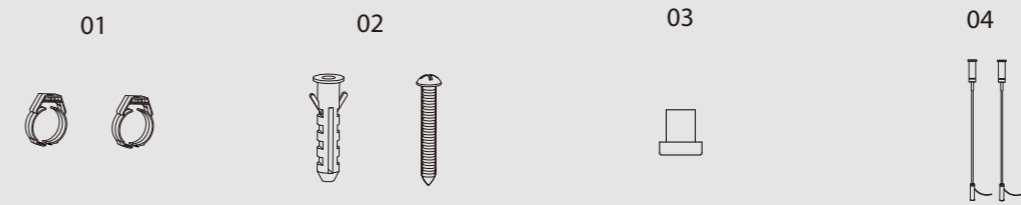
Single Wired



Linkable (Double Wired)



Accessory part



Accessories	IMAGE	DESIGNTION	DESCRIPTION	QUANTITY
Standard	01	METAL BRACKET		2PCS
Standard	02	Screw	4X20mm	8PCS
Standard	03	Protection cap		1PCS
Optional	04	Suspension kits	2m Length	2PCS

Electrical connection

